



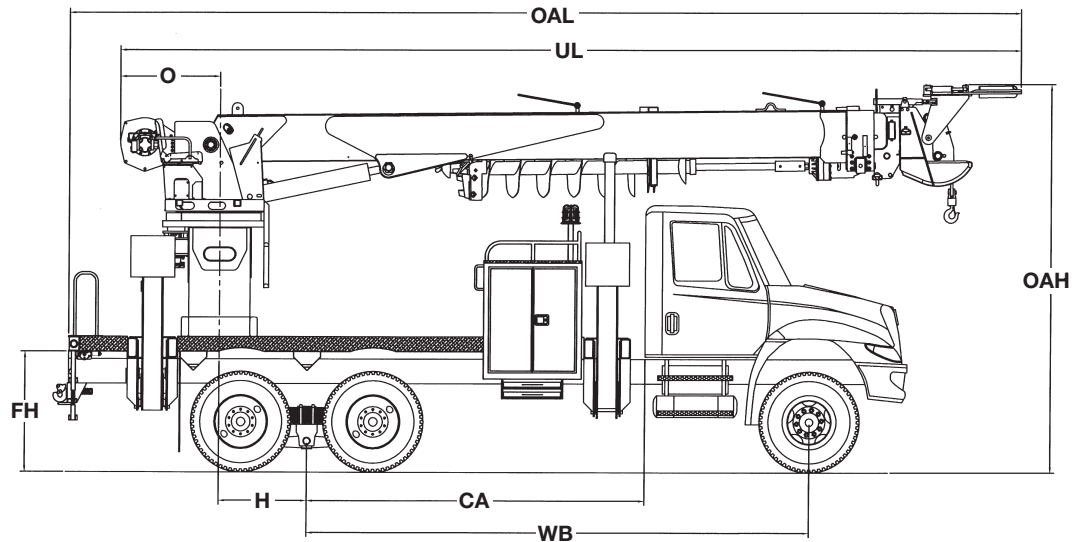
# TEREX®

## Utilities

## GENERAL SERIES

### DIGGER DERRICK

Terex® Telelect Digger Derricks are known throughout the industry. They come with a long history featuring quality and innovative design.



| Measurements                       | General 54                 | General 65                 | General 80                 | General 95                 |
|------------------------------------|----------------------------|----------------------------|----------------------------|----------------------------|
|                                    | ORA                        | ORA                        | ORA                        | ORA                        |
| Frame Height (FH)                  | 45 in.<br>(114.3 cm)       | 45 in.<br>(114.3 cm)       | 45 in.<br>(114.3 cm)       | 45 in.<br>(114.3 cm)       |
| Offset (O)                         | 40.0 in.<br>(101.6 cm)     | 40.0 in.<br>(101.6 cm)     | 40.0 in.<br>(101.6 cm)     | 40.0 in.<br>(101.6 cm)     |
| Overall Height (OAH)               | 12' 7"<br>(3.8 m)          | 12' 7"<br>(3.8 m)          | 12' 7"<br>(3.8 m)          | 12' 7"<br>(3.8 m)          |
| Overall Length (OAL)               | 28' 10"<br>(8.6 m)         | 32' 4"<br>(9.9 m)          | 32' 4"<br>(9.9 m)          | 36' 4"<br>(11.1 m)         |
| Unit Length (UL)                   | 26' 5"<br>(8.1 m)          | 30' 5"<br>(9.3 m)          | 30' 5"<br>(9.3 m)          | 34' 5"<br>(10.5 m)         |
| Center of Rotation (H)             | 36 in.<br>(91.4 cm)        | 36 in.<br>(91.4 cm)        | 36 in.<br>(91.4 cm)        | 36 in.<br>(91.4 cm)        |
| Cab to Axle (CA)                   | 138 in.<br>(350.5 cm)      | 138 in.<br>(350.5 cm)      | 138 in.<br>(350.5 cm)      | 156 in.<br>(396 cm)        |
| Wheel Base (WB)                    | 210 in.<br>(533 cm)        | 210 in.<br>(533 cm)        | 210 in.<br>(533 cm)        | 210 in.<br>(533 cm)        |
| Front Axle (GAWR)                  | 16,000 lb.<br>(7,257.5 kg) | 16,000 lb.<br>(7,257.5 kg) | 16,000 lb.<br>(7,257.5 kg) | 16,000 lb.<br>(7,257.5 kg) |
| Rear Axle (GAWR)                   | 34,000 lb.<br>(15,422 kg)  | 34,000 lb.<br>(15,422 kg)  | 34,000 lb.<br>(15,422 kg)  | 34,000 lb.<br>(15,422 kg)  |
| Gross Vehicle Weight Rating (GVWR) | 50,000 lb.<br>(22,680 kg)  | 50,000 lb.<br>(22,680 kg)  | 50,000 lb.<br>(22,680 kg)  | 50,000 lb.<br>(22,680 kg)  |
| Recommended Weight For Stability   | 38,000 lb.<br>(17,287 kg)  | 40,000 lb.<br>(18,144 kg)  | 40,000 lb.<br>(18,144 kg)  | 42,000 lb.<br>(19,051 kg)  |
| Frame Section Modulus              | 18.0 in <sup>3</sup>       | 18.0 in <sup>3</sup>       | 18.0 in <sup>3</sup>       | 18.0 in <sup>3</sup>       |
| Frame Yield Strength               | 50,000 psi                 | 50,000 psi                 | 50,000 psi                 | 50,000 psi                 |
| Frame RBM                          | 900,000 in <sup>4</sup>    | 900,000 in-lbs             | 900,000 in-lbs             | 900,000 in-lbs             |



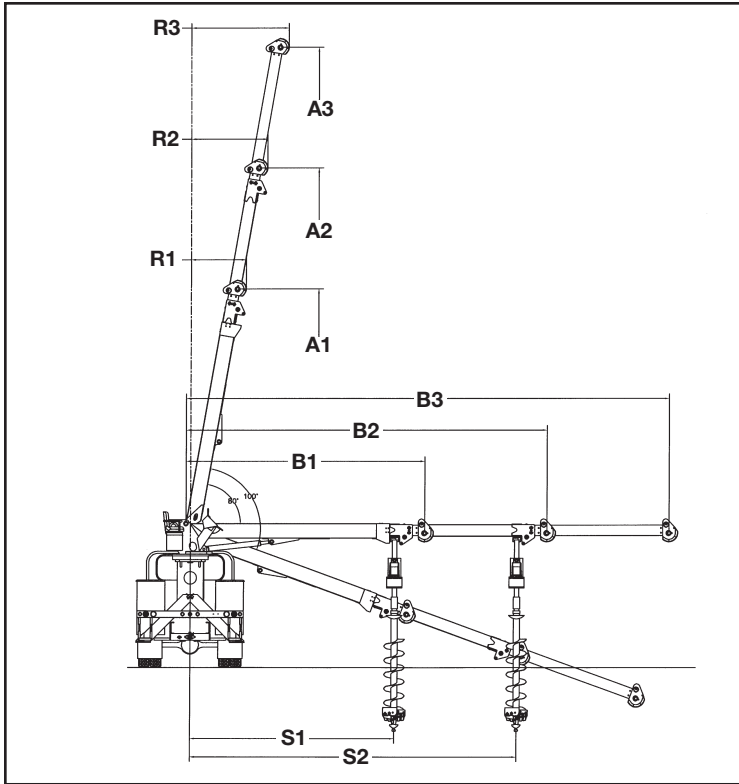
**TEREX®**  
Utilities

500 Oakwood Drive  
PO BOX 1150  
Watertown, SD 57201-6150  
USA

Phone: (605) 882-4000  
Facsimile: (605) 882-1842  
www.terexutilities.com  
E-mail: sales@terexutilities.com

**Distributed By:**

# GENERAL SERIES



## STANDARD EQUIPMENT

- 100 Degrees of Boom Travel (+80 to -20)
- 60 Gallon Hydraulic Oil Reservoir
- Boom Angle Indicator
- Boom Interlock
- Box Fabricated Steel Lower Boom and Intermediate
- Continuous Unrestricted Planetary Gear Rotation
- Custom Made Zoned Load Chart
- Dual Handle Rack Controls
- Fiberglass Hydraulic Upper Boom
- Full Pressure Hydraulic Controls
- Meets or Exceeds ANSI A10.31
- Open Center Hydraulic System
- Outrigger Moving Alarm
- Planetary Winch
- Self-Aligning Swivel Ball Bushings
- Steel Hydraulic Intermediate
- Transferable Pole Buddy
- 15,000 lb. Turntable Winch

## CAPACITIES & DIMENSIONAL DATA

| Model         | Maximum Capacity         | Capacity @ 10 ft. Radius | Sheave Height       |                     |                      | Load Radius       |                   |                     | Horizontal Reach   |                     |                      | Digging Radius     |                     |
|---------------|--------------------------|--------------------------|---------------------|---------------------|----------------------|-------------------|-------------------|---------------------|--------------------|---------------------|----------------------|--------------------|---------------------|
|               |                          |                          | A1                  | A2                  | A3                   | R1                | R2                | R3                  | B1                 | B2                  | B3                   | S1                 | S2                  |
| GENERAL '54   | 50,000 lb<br>(22,680 kg) | 22,540 lb<br>(10,224 kg) | 31.6 ft<br>(9.6 m)  | 42.4 ft<br>(12.9 m) | 53.3 ft<br>(16.2 m)  | 3.7 ft<br>(1.1 m) | 5.6 ft<br>(1.7 m) | 7.6 ft<br>(2.3 m)   | 20.1 ft<br>(6.1 m) | 32.1 ft<br>(9.8 m)  | 43.1 ft<br>(13.1 m)  | 16.4 ft<br>(5.0 m) | 28.4 ft<br>(8.7 m)  |
| GENERAL '65   | 48,000 lb<br>(21,773 kg) | 21,010 lb<br>(9,530 kg)  | 35.5 ft<br>(10.8 m) | 50.3 ft<br>(15.3 m) | 65.1 ft<br>(19.8 m)  | 4.4 ft<br>(1.3 m) | 7.0 ft<br>(2.1 m) | 9.7 ft<br>(3.0 m)   | 25.1 ft<br>(7.7 m) | 40.1 ft<br>(12.2 m) | 55.1 ft<br>(16.8 m)  | 21.4 ft<br>(6.5 m) | 36.4 ft<br>(11.1 m) |
| **GENERAL '80 | 46,750 lb<br>(21,206 kg) | 20,500 lb<br>(9,299 kg)  | 35.5 ft<br>(10.8 m) | 50.3 ft<br>(15.3 m) | *79.9 ft<br>(24.4 m) | 4.4 ft<br>(1.3 m) | 7.0 ft<br>(2.1 m) | *12.8 ft<br>(3.9 m) | 25.1 ft<br>(7.7 m) | 40.1 ft<br>(12.2 m) | *70.1 ft<br>(21.4 m) | 21.4 ft<br>(6.5 m) | 36.4 ft<br>(11.1 m) |
| **GENERAL '95 | 35,650 lb<br>(16,171 kg) | 19,830 lb<br>(8,995 kg)  | 39.5 ft<br>(12.0 m) | 58.2 ft<br>(17.7 m) | *95.6 ft<br>(29.1 m) | 5.1 ft<br>(1.6 m) | 8.4 ft<br>(2.6 m) | *15.5 ft<br>(4.7 m) | 29.1 ft<br>(8.9 m) | 48.1 ft<br>(14.7 m) | *86.1 ft<br>(26.2 m) | 25.4 ft<br>(7.7 m) | 39.4 ft<br>(13.5 m) |

\*Indicates Dimensions Which Apply To 4 Section Boom

\*\*3rd and 4th Section Are Steel

## OPTIONAL EQUIPMENT

- Diggers/Augers
- Fiberglass Personnel Platform
- Full Pressure Upper Controls
- Hydraulic Overload Protection (HOP)
- Material Handling Jibs
- Pole Puller
- Pole Guide
- Pole Guide Interlock
- Various Types of Outriggers
- Auger Storage on Right Side
- Command Post Operator Controls
- Hydraulic Tool Outlets at Upper Controls
- Multi-Part Line Components
- Radio Remote Controls
- Single Stick "T" Control
- Start/Stop and Throttle Advance at Top Controls
- Steel Upper 3rd & 4th (Not Available w/Transferable Pole Buddy)
- Various Types of Controls

Effective Date: March 1, 2007. Product specifications and prices are subject to change without notice or obligation. The photographs and/or drawings in this document are for illustrative purposes only. Refer to the appropriate Operator's Manual for instructions on the proper use of this equipment. Failure to follow the appropriate Operator's Manual when using our equipment or to otherwise act irresponsibly may result in serious injury or death. The only warranty applicable to our equipment is the standard written warranty applicable to the particular product and sale and Terex makes no other warranty, express or implied. Products and services listed may be trademarks, service marks or trade-names of Terex Corporation and/or its subsidiaries in the USA and other countries and all rights are reserved. "Terex" is a registered trademark of Terex Corporation in the USA and many other countries. Copyright 2007 Terex Corporation.